

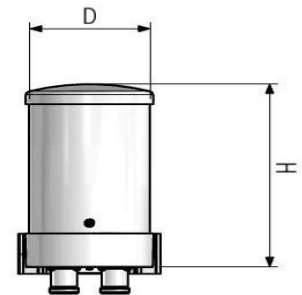
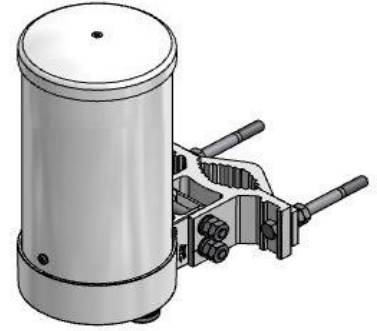
Cylinder Type Sector Antenna

1920~2170 MHz / 7.5 dBi

SBDP-7.5dBi (IMT-UHR-7.5)

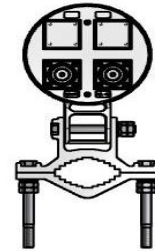
i. Electrical Specification

Frequency Range		1920 ~ 2170 MHz
Polarization		±45
Band Width		250 MHz
Gain		≥ 7.5 dBi
Beam width	Horizontal	70°± 15
	Vertical	60°± 15
F-B ratio	Horizontal (180± 30°)	≥ 15dB
	Vertical (180± 60°)	
VSWR		≤ 1 : 1.5
Isolation		≥ 25 dB
CPR , Cross-Polar Ratio	0°	≥ 18 dB
	±60°	≥ 8 dB
Tracking (±60°)		≤ 3 dB
Squint		± 3.5°
IMD (3rd)		≤ -140 dBc 2X43dBm
Impedance		50 Ω
Maximum input power		200 W

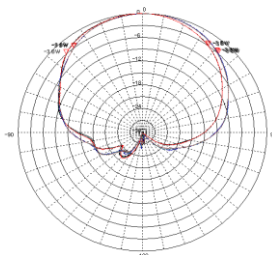


ii. Mechanical Specification

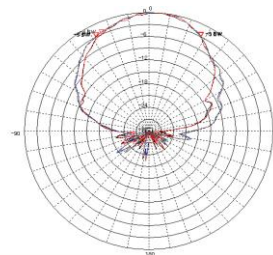
Radom Dimension (H x W x D)		∅120 X 250mm
Weight (Include bracket)		≤ 2.5 Kg
Connector Type		7/16" DIN-Female ×2
Withstand Wind Pressure		60 m/sec
Radome Material		ASA / FRP
Mechanical Down Tilt		Up, Down ± 20°



iii. Radiation Pattern



Horizontal Pattern



Vertical Pattern