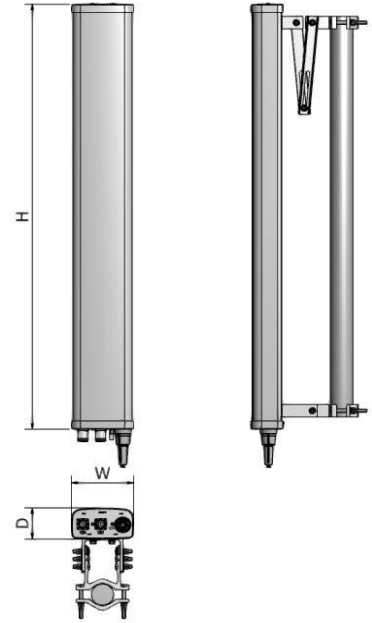
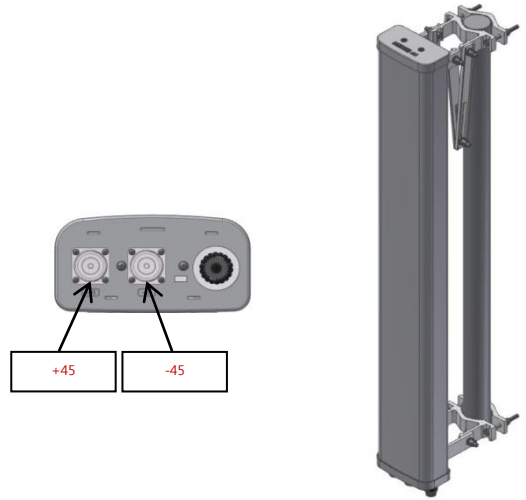


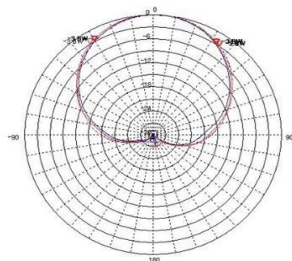
2.6G_ESBDP_65_17.5dBi

i. Electrical Specification		
Frequency Range	2500 ~ 2660 MHz	
Band Width	160 MHz	
Gain	≥ 17.5 dBi (0°) ≥ 17.0 dBi (5°) ≥ 16.5 dBi (10°)	
Polarization	± 45° SLANT	
Beam width	Horizontal	65° ± 6°
	Vertical	7° ± 3°
F-B ratio	Horizontal (@180 ± 30°)	≥ 25 dB
	Vertical (@180 ± 60°)	≥ 25 dB
VSWR	≤ 1.5 : 1	
Impedance	50 Ω	
Electrical tilt	0° ~ 10°	
Isolation	≥ 30 dB	
IMD (3rd)	≤ -150 dBc @ 2x43dBm	
1st Upper Side lobe level	≥ 15 dB (0°), 14 dB (7°), 13 dB (14°)	
Cross-Polar Ratio	0°	≥ 18 dB
	±60°	≥ 8 dB
Tracking (±60°)	≤ 3 dB	
Squint	± 3.5°	
Maximum input power	≥ 200 W	

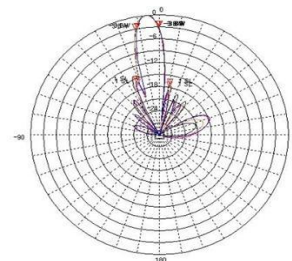


ii. Mechanical Specification	
Radom Dimension (W x D x H)	160 x 80 x 1190 mm
Weight (exclude bracket)	≤ 4.5 kg
Connector Type	7/16"DIN-Female x 2
Withstand Wind Pressure	60 m/sec
Radom Material (color)	A.S.A. (Cool Gray 4C)
Mechanical Down Tilt	0° ~ 20°
Temperature	-40 °C ~ 70 °C
Packing Size (H x W x D)	-
Packing Weight	-

iii. Radiation Pattern



Horizontal Pattern



Vertical Pattern