

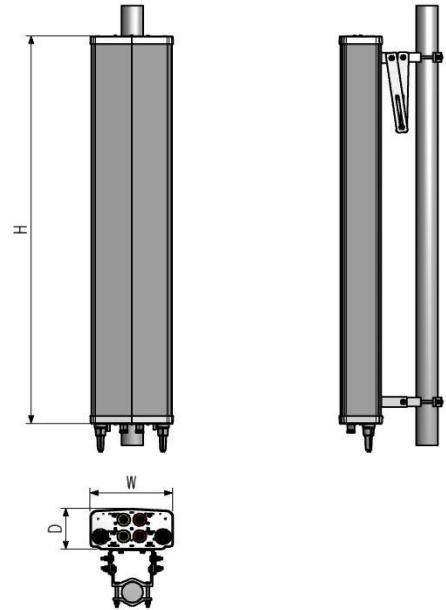
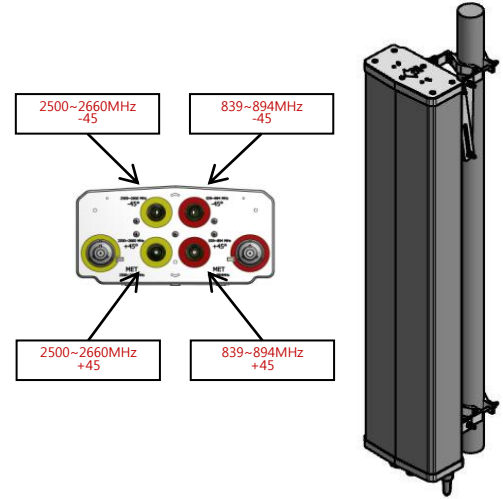
# Dual Band Dual Polarization Horizontal 63° 16dBi

Adjust. Electrical Downtilt

## 2.6G\_EDBDP\_63\_16dBi

### i. Electrical Specification

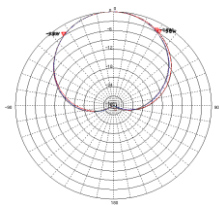
Frequency Range	839~894 MHz	2500 ~ 2660 MHz
Band Width	55 MHz	160 MHz
Gain	$\geq 14.5$ dBi ( 0° )	$\geq 16$ dBi ( 0° )
	$\geq 14.0$ dBi ( 7° )	$\geq 15.5$ dBi ( 5° )
	$\geq 13.5$ dBi ( 14° )	$\geq 15$ dBi ( 10° )
Polarization	$\pm 45^\circ$ SLANT	$\pm 45^\circ$ SLANT
Beam width	Horizontal	$65^\circ \pm 6^\circ$
	Vertical	$13^\circ \pm 3^\circ$
F-B ratio	Horizontal (@180 ± 30°)	$\geq 25$ dB
		$\geq 24$ dB( 5° )
	Vertical (@180 ± 60°)	$\geq 25$ dB
		$\geq 24$ dB( 5° )
		$\geq 23$ dB( 10° )
VSWR	$\leq 1.5 : 1$	$\leq 1.5 : 1$
Impedance	50 Ω	50 Ω
Electrical tilt	0° ~ 14°	0° ~ 10°
Isolation	$\geq 30$ dB	$\geq 27$ dB
IMD (3rd)	$\leq -150$ dBc @ 2x43dBm	$\leq -150$ dBc @ 2x43dBm
1st Upper Side lobe level	$\geq 15$ dB ( 0° ), 14 dB ( 7° ), 13 dB ( 14° )	$\geq 15$ dB ( 0° ), 14 dB ( 5° ), 13 dB ( 10° )
Cross-Polar Ratio	0°	$\geq 15$ dB
	$\pm 60^\circ$	10 dB ( 0° ), 9 dB ( 7° ), 8 dB ( 14° )
Tracking (±60°)	$\leq 3$ dB	$\leq 3$ dB
Squint	$\pm 3.5^\circ$	$\pm 5^\circ$
Maximum input power	$\geq 200$ W	



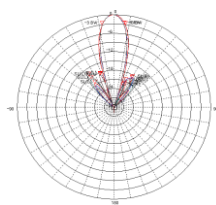
### ii. Mechanical Specification

Radom Dimension ( W x D x H )	297 x 150 x 1499 mm
Weight ( exclude bracket )	$\leq 10.5$ kg
Connector Type	7/16" DIN-Female x 4
Withstand Wind Pressure	60 m/sec
Radom Material (color)	A.S.A. +P C (Cool Gray 4C)
Mechanical Down Tilt	0° ~ 20°
Temperature	-40 °C ~ 70 °C
Packing Size (H x W x D)	-
Packing Weight	-

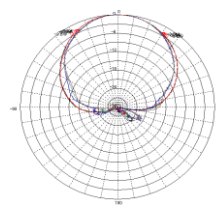
### iii. Radiation Pattern



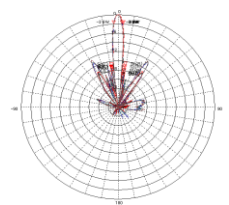
Horizontal Pattern



Vertical Pattern



Horizontal Pattern



Vertical Pattern

Low Band

High Band