

Cellular Base Station Antenna

824~894 MHz / 12 dBi

CELL-BS-S12-85T

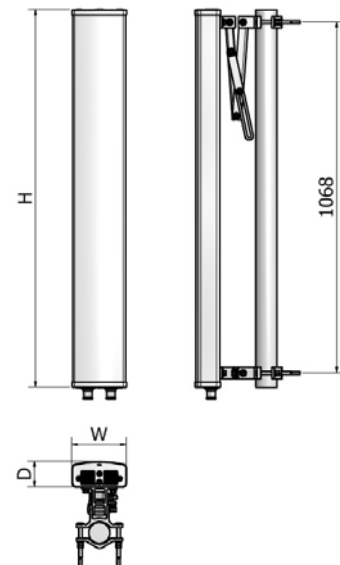
i. Electrical Specification

Frequency Range		824~894 MHz
Polarization		Vertical
Band Width		70 MHz
Gain		≥ 12 dBi
Beam width	Horizontal	85° ± 7°
	Vertical	≥ 15° ± 5°
F-B ratio	Horizontal	≥ 15 dB @ 180 ± 30°
	Vertical	≥ 15 dB @ 180 ± 30°
Sidelobe		≥ 13dB
VSWR		1 : 1.5
Impedance		50 Ω
Maximum input power		≤ 50 W

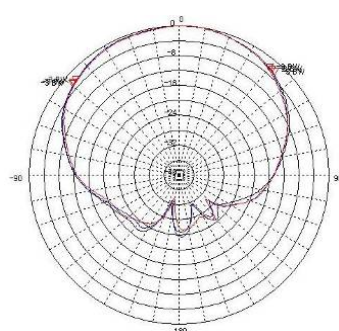


ii. Mechanical Specification

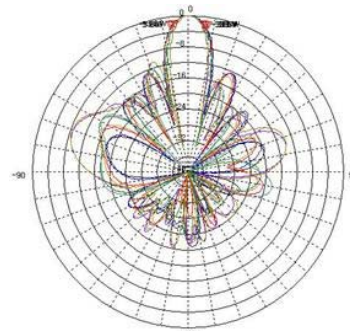
Radom Dimension (H x W x D)	1120 X 162 X 72 mm
Weight (Include bracket)	10 kg
Connector Type	7/16" DIN -Female
Withstand Wind Pressure	60 m/sec
Radome Material	ASA
Radome Color	Gray
Mechanical Down Tilt	0° ~ -15°
Temperature	-40 °C ~ 70 °C
Packing Size (H x W x D) SET	-
Packing Weight SET	-



iii. Radiation Pattern



Horizontal Pattern



Vertical Pattern