

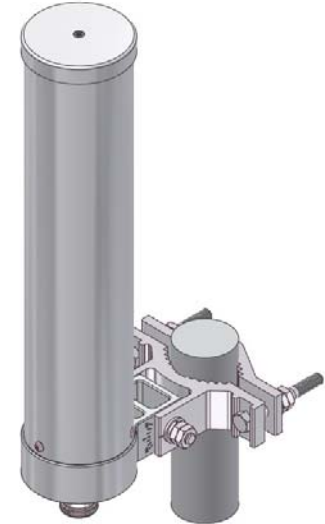
Cylinder Type Sector Antenna

839 ~ 894, 1765 ~ 1875 MHz / 5 dBi, 9 dBi

CP-UHR-059

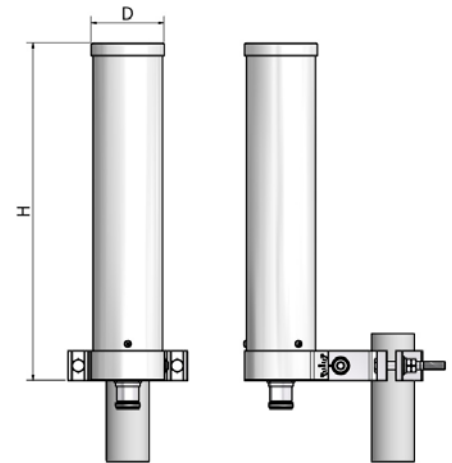
i. Electrical Specification

Frequency Range	839 ~ 894 MHz	1765 ~ 1875 MHz
Polarization	Vertical	
Band Width	55 MHz	110 MHz
Gain	≥ 5 dBi	≥ 9 dBi
Beam width	Horizontal	100° ~ 160°
	Vertical	30° ~ 90°
F-B ratio	Horizontal	≥ 5 dBi
	Vertical	≥ 5 dBi
VSWR	≤ 1 : 1.8	≤ 1 : 1.5
Impedance	50 Ω	
IMD (3rd)	≤ -150 dBc @ 2x43dBm	
Maximum input power	100 W	

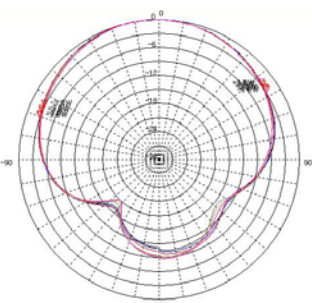


ii. Mechanical Specification

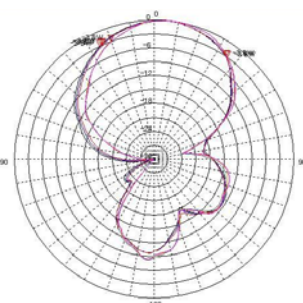
Radom Dimension (D x H)	Ø 85 x 400 mm
Weight (Include bracket)	≤ 1.3 Kg
Connector Type	7/16 " DIN-J (Female)
Withstand Wind Pressure	60 m/sec
Radome Material	ASA
Radome Color	Cool Gray 4C
Mechanical Down Tilt	± 20 °
Temperature	-40 °C ~ 70 °C
Packing Size (H x W x D)	-
Packing Weight	-



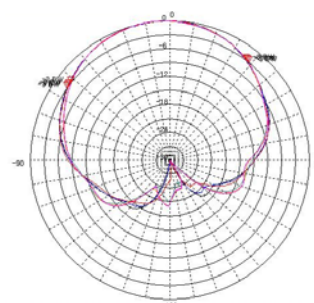
iii. Radiation Pattern



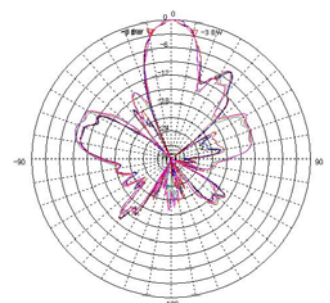
Horizontal Pattern



Vertical Pattern



Horizontal Pattern



Vertical Pattern

CELL

PCS