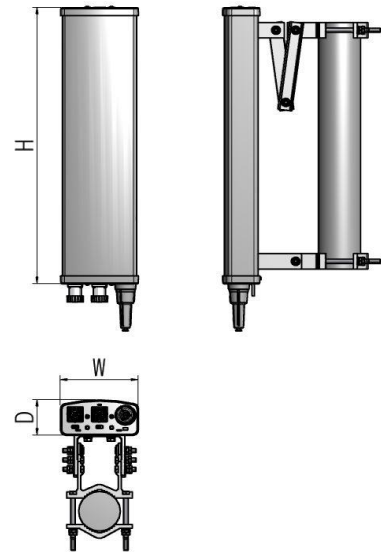
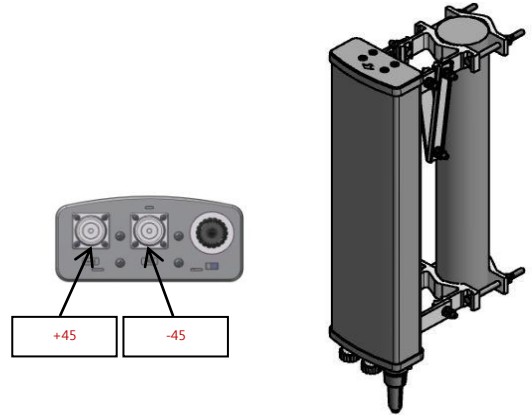


EBBDP-65-13.5dBi(PI-EBBDP-13.5)

**i. Electrical Specification**

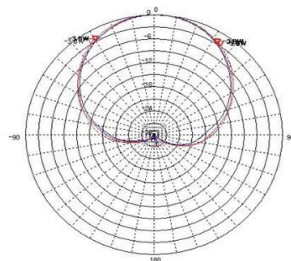
Frequency Range		1710 ~ 2170 MHz
Band Width		460 MHz
Gain		≥ 13.5 dBi
Polarization		± 45° SLANT
Beam width	Horizontal	65° ± 6°
	Vertical	15° ± 3°
F-B ratio	Horizontal (@180 ± 30°)	≥ 25 dB
	Vertical (@180 ± 60°)	≥ 25 dB
VSWR		≤ 1.5 : 1
Impedance		50 Ω
Electrical tilt		0° ~ 14°
Isolation		≥ 30 dB
IMD (3rd)		≤ -150 dBc @ 2x43dBm
1st Upper Side lobe level		≥ 15 dB
Cross-Polar Ratio	0°	≥ 18 dB
	±60°	≥ 8 dB
Tracking (±60°)		≤ 3 dB
Squint		± 3.5°
Maximum input power		≥ 200 W



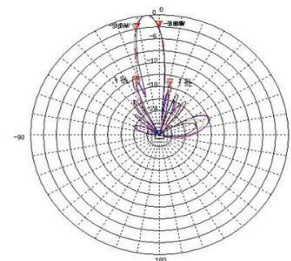
**ii. Mechanical Specification**

Radom Dimension ( W x D x H )		160 x 72 x 630 mm
Weight ( exclude bracket )		≤ 3 kg
Connector Type		7/16"DIN-Female x 2
Withstand Wind Pressure		60 m/sec
Radom Material (color)		A.S.A. (Cool Gray 4C)
Mechanical Down Tilt		0° ~ 30°
Temperature		-40 °C ~ 70 °C
Packing Size (H x W x D)		-
Packing Weight		-

**iii. Radiation Pattern**



Horizontal Pattern



Vertical Pattern