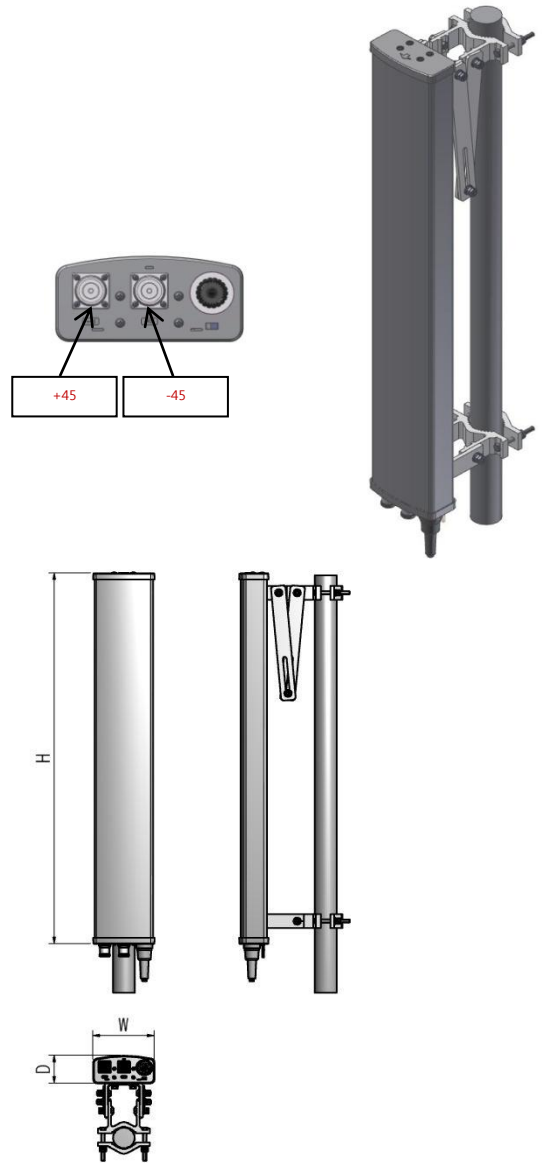


EBBDP-65-15.5dBi(PI-EBBDP-15.5)

i. Electrical Specification

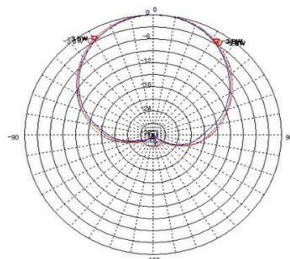
Frequency Range		1710 ~ 2170 MHz
Band Width		460 MHz
Gain		≥ 15.5 dBi
Polarization		± 45° SLANT
Beam width	Horizontal	65° ± 6°
	Vertical	10° ± 3°
F-B ratio	Horizontal (@180 ± 30°)	≥ 25 dB
	Vertical (@180 ± 60°)	≥ 25 dB
VSWR		≤ 1.5 : 1
Impedance		50 Ω
Electrical tilt		0° ~ 10°
Isolation		≥ 30 dB
IMD (3rd)		≤ -150 dBc @ 2x43dBm
1st Upper Side lobe level		≥ 15 dB
Cross-Polar Ratio	0°	≥ 18 dB
	±60°	≥ 8 dB
Tracking (±60°)		≤ 3 dB
Squint		± 3.5°
Maximum input power		≥ 200 W



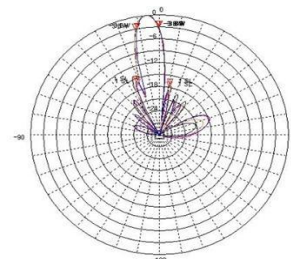
ii. Mechanical Specification

Radom Dimension (W x D x H)		160 x 72 x 1070 mm
Weight (exclude bracket)		≤ 4.1 kg
Connector Type		7/16"DIN-Female x 2
Withstand Wind Pressure		60 m/sec
Radom Material (color)		A.S.A. (Cool Gray 4C)
Mechanical Down Tilt		0° ~ 30°
Temperature		-40 °C ~ 70 °C
Packing Size (H x W x D)		-
Packing Weight		-

iii. Radiation Pattern



Horizontal Pattern



Vertical Pattern