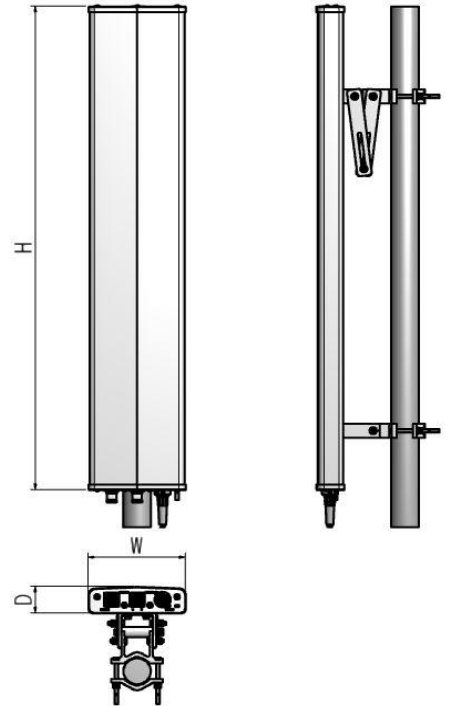
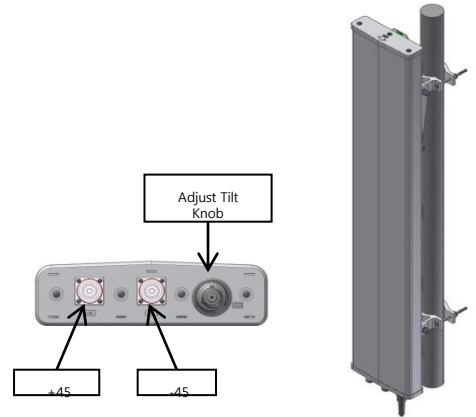


ESBDP-14.5dBi (LTE8-ESBDP-14.5dBi)

i. Electrical Specification		
Frequency Range	839 ~ 894 MHz	
Band Width	55 MHz	
Gain	≥ 14.5 dBi (0°) ≥ 14.0 dBi (7°) ≥ 13.5 dBi (14°)	
Polarization	± 45°	
Beam width	Horizontal	65° ± 5°
	Vertical	14° ± 3°
F-B ratio	Horizontal (@180 ± 30°)	≥ 25 dB (@180 ± 30°)
	Vertical (@180 ± 30°)	≥ 25 dB (@180 ± 60°)
VSWR	≤ 1.5 : 1	
Impedance	50 Ω	
Electrical tilt	0° ~ 14°	
1st Upper Side lobe level	≥ 15 dB (0°), 14 dB (7°), 13 dB (14°)	
Cross Polar Ratio	0°	≥ 18 dB
	± 60°	≥ 10 dB (0°), 9 dB (7°), 8 dB (14°)
Tracking (± 60°)	≤ 2dB (0°, 7°), 2.5dB (14°)	
Squint	≤ ± 3.5° (0°, 7°, 14°)	
IMD(2x20W)	≤ -150 dBc	
Port to Port Isolation	≥ 30 dB	
Maximum input power	200 W	



ii. Mechanical Specification	
Radom Dimension (W x D x H)	261 x 70 x 1393 mm
Weight (Exclude bracket)	≤ 7.1 kg
Connector Type	7/16"DIN-Female x 2
Withstand Wind Pressure	60 m/sec
Radom Material (color)	ASA (Cool Gray 4C)
Mechanical Down Tilt (Option)	0° ~ 20°
Temperature	-40 °C ~ 70 °C
Packing Size (H x W x D)	-
Packing Weight	-

iii. Radiation Pattern

