

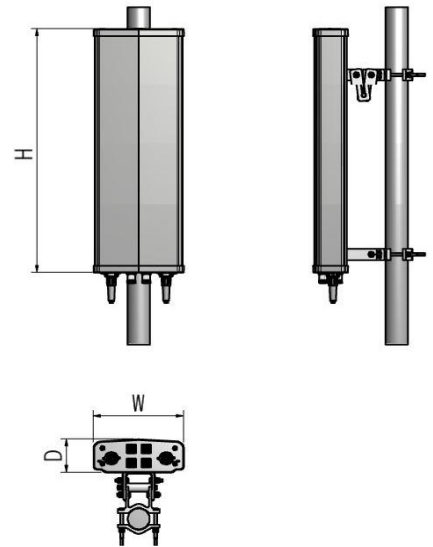
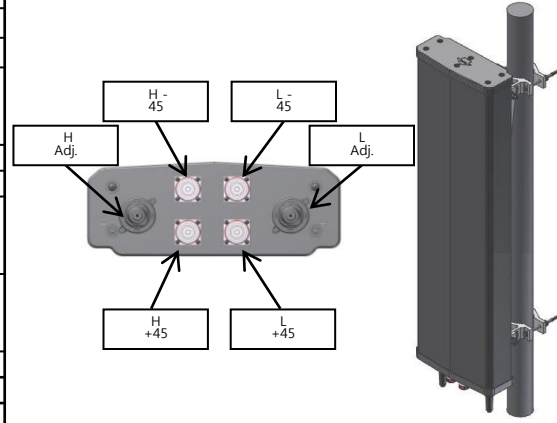
# Triple Band Dual Polarization Horizontal 65° 12.5dBi

Adjust. Electrical Downtilt

## ETBDP-12.5dBi

### i. Electrical Specification

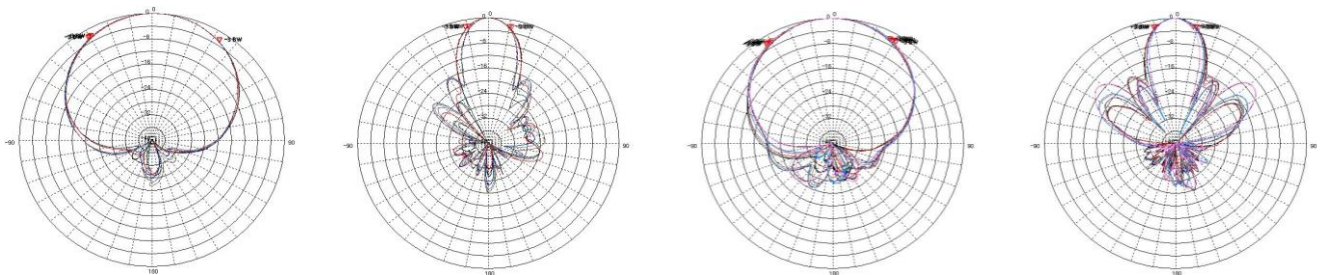
Frequency Range		839 ~ 894 MHz	1710 ~ 2170 MHz
Polarization		± 45°	
Band Width		55 MHz	460 MHz
Gain		≥ 12.5 dBi ( 0° )	≥ 12.0 dBi ( 0° )
		≥ 12.0 dBi ( 7° )	≥ 11.5 dBi ( 7° )
		≥ 11.5 dBi ( 14° )	≥ 11.0 dBi ( 14° )
Beam width	Horizontal	65° ± 5°	63° ± 9°
	Vertical	22° ± 3°	20° ± 3°
F-B ratio	Horizontal	≥ 23 dB ( 0° )	≥ 23 dB ( 0° )
		≥ 22 dB ( 7° )	≥ 22 dB ( 7° )
		≥ 21 dB ( 14° )	≥ 21 dB ( 14° )
	Vertical	≥ 23 dB ( 0° )	≥ 23 dB ( 0° )
		≥ 22 dB ( 7° )	≥ 22 dB ( 7° )
		≥ 21 dB ( 14° )	≥ 21 dB ( 14° )
Port Isolation		≥ 30 dB	≥ 27 dB
Band Isolation		≥ 25 dB	
VSWR		≤ 1 : 1.5	≤ 1 : 1.5
Impedance		50 Ω	
CPR(Cross-Polar Ratio)	0°	≥ 15 dB	≥ 15 dB
	±60°	≥ 10, 9, 8 dB	≥ 8, 7, 6 dB
Tracking (±60°)		≤ 2, 2, 2, 5 dB	≤ 3 dB
Squint		± 3.5°	± 5°
Tilt (error)		± 2°	± 2°
IMD (3rd)		≤ -150 dBc @ 2x43dBm	
Maximum input power		200 W	



### ii. Mechanical Specification

Radom Dimension ( W x D x H )		297 x 110 x 960 mm	
Weight ( Exclude bracket )		≤ 7.4 Kg	
Connector Type		7/16 " DIN-Female x 2	7/16 " DIN-Female x 2
Withstand Wind Pressure		60 m/sec	
Radome Material		ASA or PC/ASA	
Radome Color		Cool Gray 4C	
Mechanical Down Tilt		≥ 30 °	
Temperature		-40 °C ~ 70 °C	
Packing Size ( H x W x D )		-	
Packing Weight		-	

### iii. Radiation Pattern



Horizontal Pattern

Low Band

Vertical Pattern

Horizontal Pattern

High Band

Vertical Pattern