

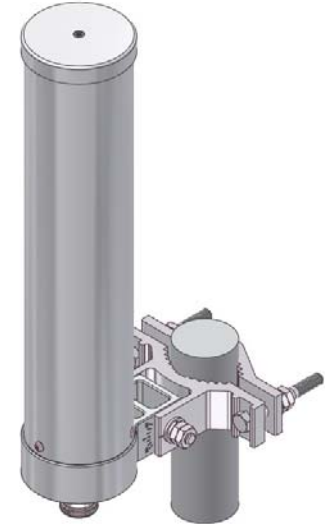
Cylinder Type Sector Antenna

1920 ~ 2170 MHz / 10 dBi

IMT-UHR-10

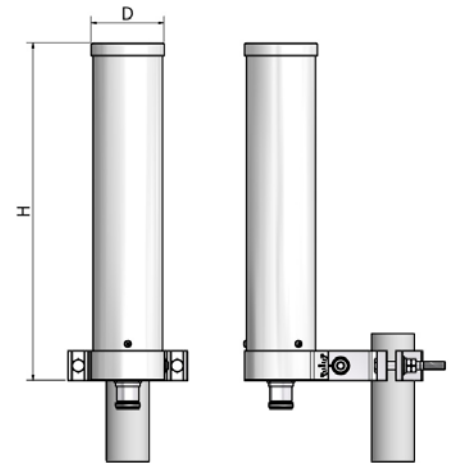
i. Electrical Specification

Frequency Range	1920 ~ 2170 MHz	
Polarization	Vertical	
Band Width	250 MHz	
Gain	≥ 10 dBi	
Beam width	Horizontal	≥ 80° ± 5°
	Vertical	≥ 30° ± 5°
F-B ratio	Horizontal	20 dB
	Vertical	20 dB
Sidelobe (upper)	11 dB	
VSWR	1 : 1.5	
Impedance	50 Ω	
IMD (3x20W)	≥ -150 dBc	
Maximum input power	≤ 200 W	

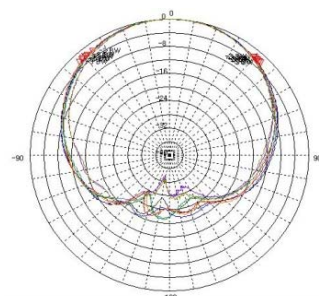


ii. Mechanical Specification

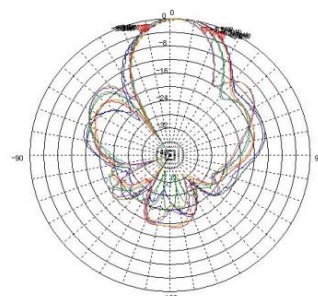
Radom Dimension (D x H)	Ø 85 x 400 mm	
Weight (Include bracket)	≤ 1.3 Kg	
Connector Type	7/16 " DIN-J (Female)	
Withstand Wind Pressure	60 m/sec	
Radome Material	ASA	
Radome Color	Cool Gray 4C	
Mechanical Down Tilt	± 20°	
Temperature	-40 °C ~ 70 °C	
Packing Size (H x W x D)	-	
Packing Weight	-	



iii. Radiation Pattern



Horizontal Pattern



Vertical Pattern