

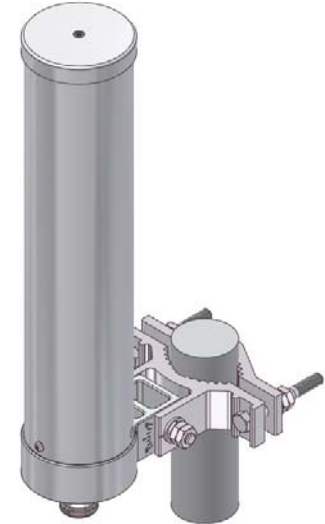
Cylinder Type Sector Antenna

1750 ~ 1870MHz / 10 dBi

PCS-UHR-10

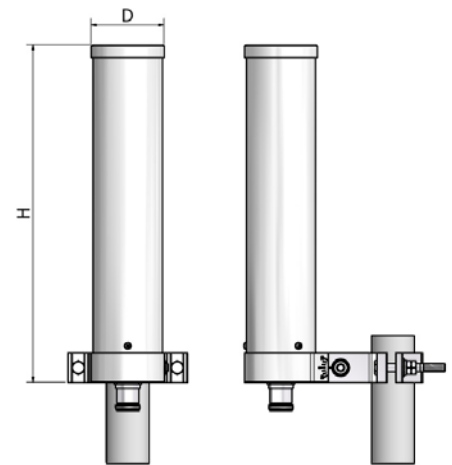
i. Electrical Specification

Frequency Range	1750 ~ 1870 MHz	
Polarization	Vertical	
Band Width	120 MHz	
Gain	≥ 10.15 dBi	
Beam width	Horizontal	≤ 75°~ 85°
	Vertical	≤ 25°~ 35°
F-B ratio	≤ 17 dB	
VSWR	≤ 1 : 1.3	
Impedance	50 Ω	
Maximum input power	50 W	

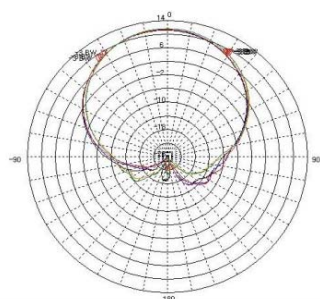


ii. Mechanical Specification

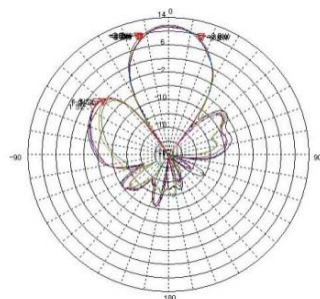
Radom Dimension (D x H)	Ø 85 x 400 mm	
Weight (Include bracket)	≤ 4 Kg	
Connector Type	7/16 DIN	
Withstand Wind Pressure	60 m/sec	
Radome Material	ASA	
Radome Color	Cool Gray 4C	
Mechanical Down Tilt	± 20°	
Temperature	-40 °C ~ 70 °C	
Packing Size (H x W x D)	-	
Packing Weight	-	



iii. Radiation Pattern



Horizontal Pattern



Vertical Pattern