

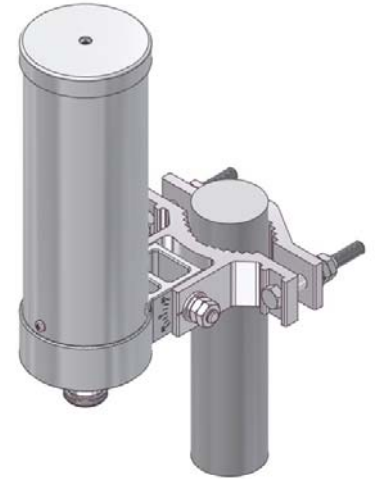
# Cylinder Type Sector Antenna

1750 ~ 1870 MHz / 8 dBi

PCS-UHR-DP-07

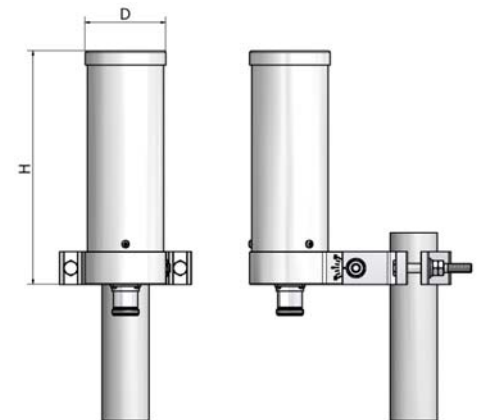
## i. Electrical Specification

Frequency Range	1750 ~ 1870 MHz	
Polarization	±45	
Band Width	120 MHz	
Gain	≥ 8 dBi	
Beam width	Horizontal	≤ 60°
	Vertical	≤ 50°
F-B ratio	≤ 15 dB	
VSWR	≤ 1 : 1.5	
Impedance	50 Ω	
Maximum input power	100 W	

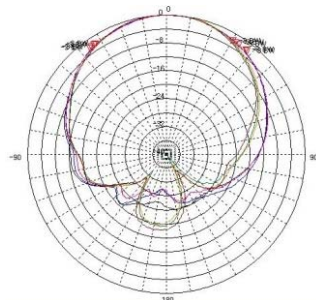


## ii. Mechanical Specification

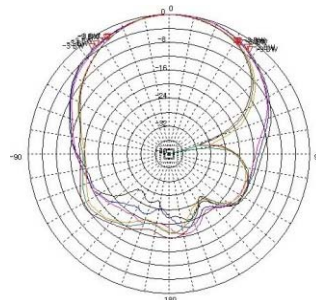
Radom Dimension ( D x H )	∅ 85 x 250 mm
Weight ( Include bracket )	≤ 750 g
Connector Type	7/16 DIN
Withstand Wind Pressure	60 m/sec
Radome Material	ASA
Radome Color	Cool Gray 4C
Mechanical Down Tilt	± 30°
Temperature	-40 °C ~ 70 °C
Packing Size ( H x W x D )	-
Packing Weight	-



## iii. Radiation Pattern



Horizontal Pattern



Vertical Pattern