

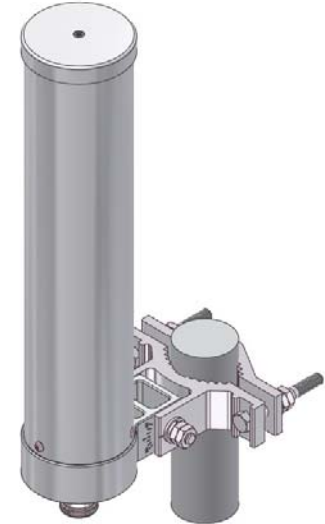
Cylinder Type Sector Antenna

1750 ~ 18 70MHz / 11 dBi

PCS-UHR-DP-10

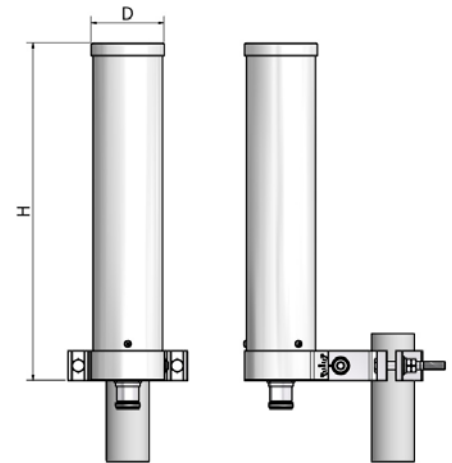
i. Electrical Specification

Frequency Range	1750 ~ 1870 MHz	
Polarization	±45	
Band Width	120 MHz	
Gain	≥ 11 dBi	
Beam width	Horizontal	≤ 60°~ 70°
	Vertical	≤ 23°~ 33°
F-B ratio	≤ 20 dB	
VSWR	≤ 1 : 1.5	
Impedance	50 Ω	
Maximum input power	100 W	

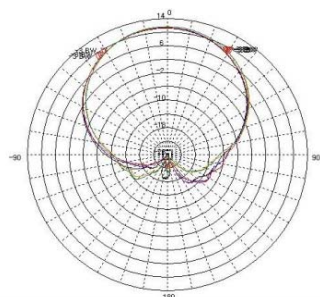


ii. Mechanical Specification

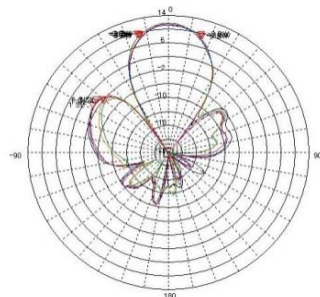
Radom Dimension (D x H)	Ø 85 x 400 mm	
Weight (Include bracket)	≤ 1.2 Kg	
Connector Type	7/16 DIN	
Withstand Wind Pressure	60 m/sec	
Radome Material	ASA	
Radome Color	Cool Gray 4C	
Mechanical Down Tilt	± 30°	
Temperature	-40 °C ~ 70 °C	
Packing Size (H x W x D)	-	
Packing Weight	-	



iii. Radiation Pattern



Horizontal Pattern



Vertical Pattern