

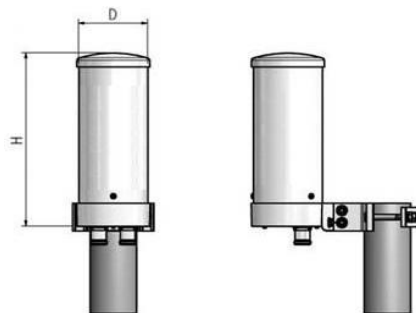
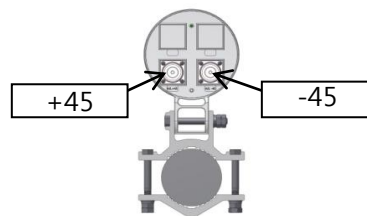
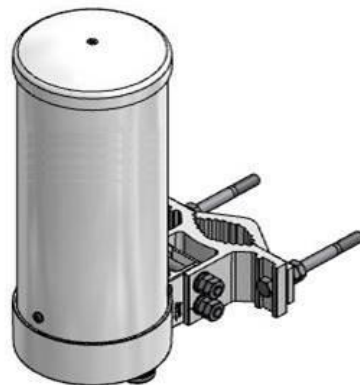
# 3G/4G Cylinder Type Antenna

1710~2170 MHz / 9.5 dBi

## PI-CDP-09

### i. Electrical Specification

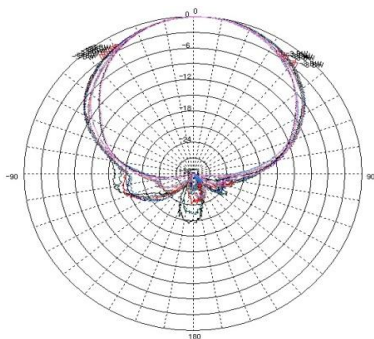
Frequency Range	1710 ~ 2170 MHz	
Polarization	±45°	
Band Width	460 MHz	
Gain	≥ 9.5 dBi	
Beam width	Horizontal	70 ± 15°
	Vertical	35 ± 7°
F-B ratio	Horizontal	≥ 15dB
	Vertical	≥ 15dB
VSWR	≤ 1 : 1.5	
Isolation	≥ 25 dB	
Cross-Polar Ratio (CPR)	≥ 15 dB	
IMD (3rd)	≤ -150 dBc 2X43dBm	
Impedance	50 Ω	
Maximum input power	200 W	



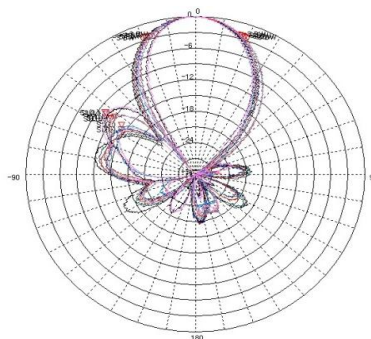
### ii. Mechanical Specification

Radom Dimension ( H x W x D )	Ø120 X 311 mm
Weight ( Exclude bracket )	≤ 1.5 Kg
Connector Type	7/16" DIN-Female ×2
Withstand Wind Pressure	60 m/sec
Radome Material	ASA / FRP
Mechanical Down Tilt	Up, Down ± 20°

### iii. Radiation Pattern



Horizontal Pattern



Vertical Pattern