

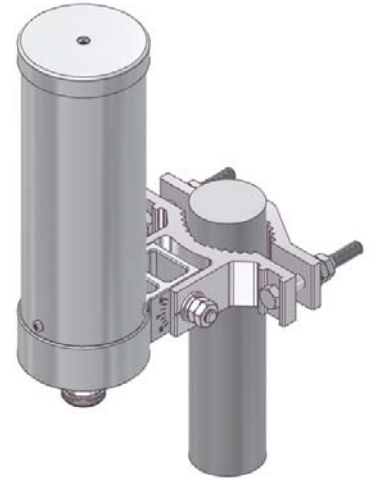
Cylinder Type Sector Antenna

1750 ~ 1870, 1920 ~ 2170 MHz / 6 dBi, 7 dBi

PI-UHR-07

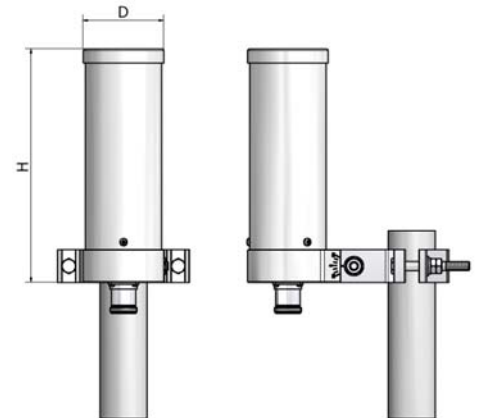
i. Electrical Specification

Frequency Range	1750 ~ 1870 MHz	1920 ~ 2170 MHz
Polarization	Vertical	
Band Width	120 MHz	250 MHz
Gain	≥ 6 dBi	≥ 7 dBi
Beam width	Horizontal	≥ 85° ± 7°
	Vertical	≥ 65° ± 5°
F-B ratio	Horizontal	12 dB
	Vertical	12 dB
VSWR	1 : 1.5	
Impedance	50 Ω	
IMD (3x20W)	≥ - 150 dBc	
Maximum input power	≤ 200 W	

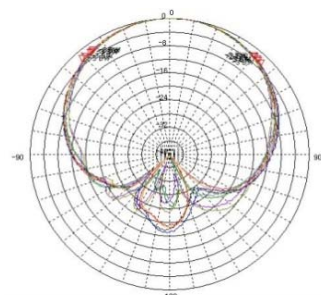


ii. Mechanical Specification

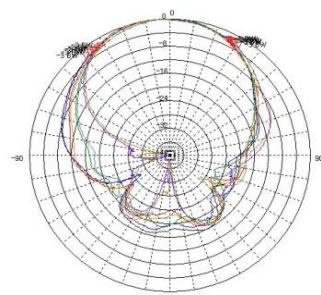
Radom Dimension (D x H)	Ø 85 x 250 mm
Weight (Include bracket)	≤ 850 g
Connector Type	7/16 " DIN-J (Female)
Withstand Wind Pressure	60 m/sec
Radome Material	ASA
Radome Color	Cool Gray 4C
Mechanical Down Tilt	± 20 °
Temperature	-40 °C ~ 70 °C
Packing Size (H x W x D)	-
Packing Weight	-



iii. Radiation Pattern



Horizontal Pattern



Vertical Pattern