

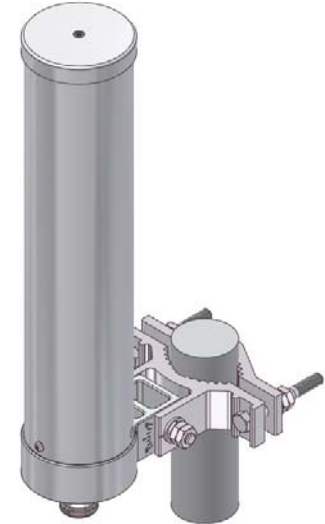
Cylinder Type Sector Antenna

1750 ~ 1870, 1920 ~ 2170 MHz / 9 dBi, 10 dBi

PI-UHR-10

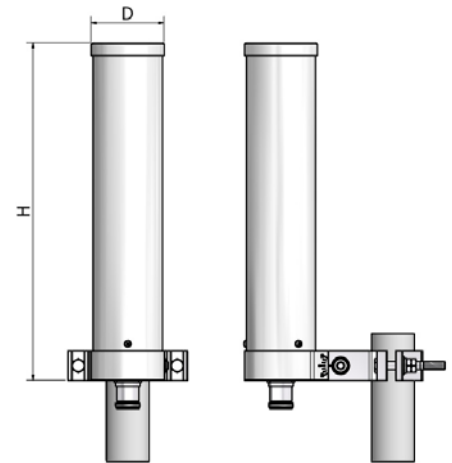
i. Electrical Specification

Frequency Range		1750 ~ 1870 MHz	1920 ~ 2170 MHz
Polarization		Vertical	
Band Width		120 MHz	250 MHz
Gain		≥ 9 dBi	≥ 10 dBi
Beam width	Horizontal	≥ 85° ± 7°	≥ 80° ± 5°
	Vertical	≥ 30° ± 7°	≥ 30° ± 5°
F-B ratio	Horizontal	17 dB	20 dB
	Vertical	17 dB	20 dB
Sidelobe (upper)		10 dB	11 dB
VSWR		1 : 1.5	
Impedance		50 Ω	
IMD (3x20W)		≥ - 150 dBc	
Maximum input power		≤ 200 W	

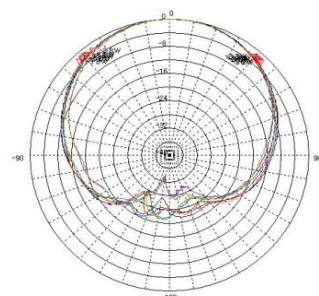


ii. Mechanical Specification

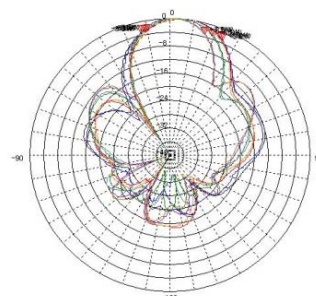
Radom Dimension (D x H)	∅ 85 x 400 mm
Weight (Include bracket)	≤ 1.3 Kg
Connector Type	7/16 " DIN-J (Female)
Withstand Wind Pressure	60 m/sec
Radome Material	ASA
Radome Color	Cool Gray 4C
Mechanical Down Tilt	± 20°
Temperature	-40 °C ~ 70 °C
Packing Size (H x W x D)	-
Packing Weight	-



iii. Radiation Pattern



Horizontal Pattern



Vertical Pattern