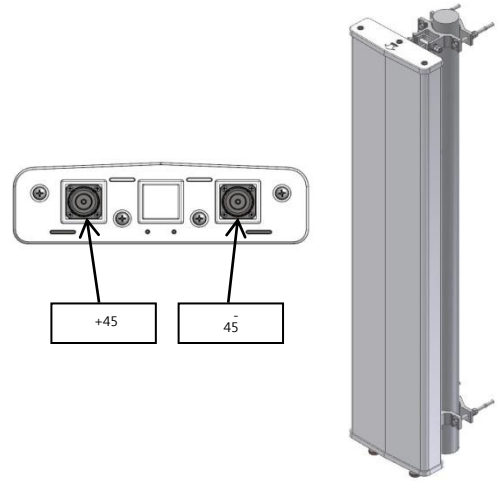


SBDP-14.5dBi-T8 (LTE8-SBDP-14.5 (T8))

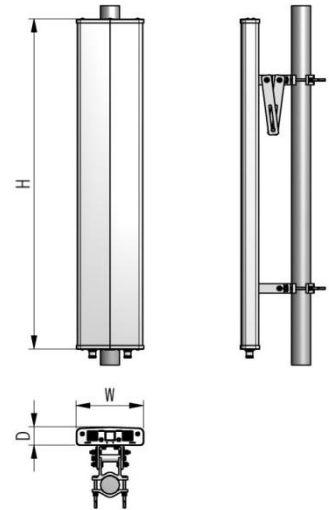
i. Electrical Specification

Frequency Range		839 ~ 894 MHz
Band Width		55 MHz
Gain		≥ 14.5 dBi
Polarization		± 45° SLANT
Beam width	Horizontal	65° ± 5°
	Vertical	14° ± 3°
F-B ratio	Horizontal (@180 ± 30°)	≥ 25 dB
	Vertical (@180 ± 60°)	≥ 25 dB
VSWR		≤ 1.5 : 1
Impedance		50 Ω
Isolation		≥ 30 dB
IMD (3rd)		≤ -150 dBc @ 2x43dBm
1st Upper Side lobe level		≥ 15 dB
Cross-Polar Ratio	0°	≥ 18 dB
	±60°	≥ 9 dB
Tracking (±60 °)		≤ 2 dB
Squint		± 2.5°
Maximum input power		≥ 200 W

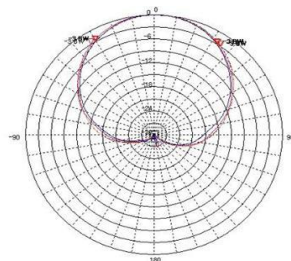


ii. Mechanical Specification

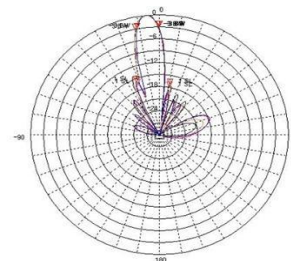
Radom Dimension (W x D x H)		261 x 70 x 1378 mm
Weight (exclude bracket)		≤ 6.5 kg
Connector Type		7/16 DIN
Withstand Wind Pressure		60 m/sec
Radom Material (color)		A.S.A. (Cool Gray 4C)
Mechanical Down Tilt		0 ° ~ 20 °
Temperature		-40 °C ~ 70 °C
Packing Size (H x W x D)		-
Packing Weight		-



iii. Radiation Pattern



Horizontal Pattern



Vertical Pattern