

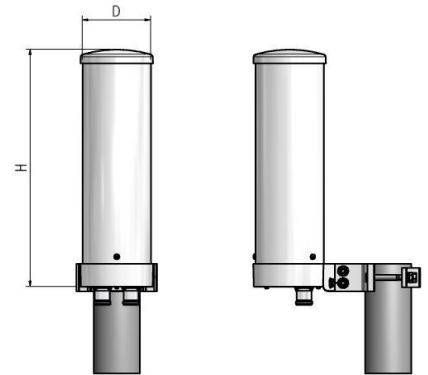
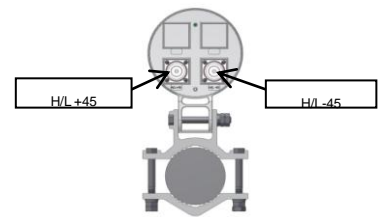
Triple Band Cylinder Type Sector Antenna

839 ~ 894, 1710 ~ 2170 MHz / 4.5 dBi, 6.5 dBi

TBDP-4.5dBi(Dip.) (CPI-UHR-057D)

i. Electrical Specification

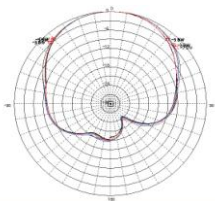
Frequency Range		839 ~ 894 MHz	1710 ~ 2170 MHz
Polarization		± 45°	
Band Width		55 MHz	460 MHz
Gain		≥ 4.5 dBi	≥ 6.5 dBi
Beam width	Horizontal	100° ± 30°	70° ± 30°
	Vertical	70° ± 30°	65° ± 30°
F-B ratio	Horizontal	≥ 10 dBi	≥ 15 dBi
	Vertical	≥ 10 dBi	≥ 15 dBi
Port Isolation		≥ 20 dB	≥ 25 dB
Band Isolation		≥ 25 dB	
VSWR		≤ 1 : 1.8	≤ 1 : 1.5
Impedance		50 Ω	
CPR(Cross-Polar Ratio)	0°	≥ 15 dB	≥ 18 dB
	±60°	≥ 6 dB	≥ 8 dB
Tracking (±60°)		≤ 3 dB	≤ 3 dB
Squint		± 5°	± 3.5°
Tilt (error)		-	-
IMD (3rd)		≤ -140 dBc @ 2x43dBm	
Maximum input power		200 W	



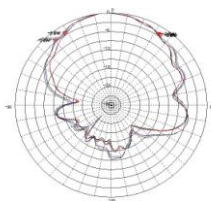
ii. Mechanical Specification

Radom Dimension (D x H)		Ø 120 x 450 mm	
Weight (Include bracket)		≤ 2 Kg	
Connector Type		7/16 " DIN-Female x 2	
Withstand Wind Pressure		60 m/sec	
Radome Material		ASA	
Radome Color		Cool Gray 4C	
Mechanical Down Tilt		± 20 °	
Temperature		-40 °C ~ 70 °C	
Packing Size (H x W x D)		-	
Packing Weight		-	

iii. Radiation Pattern

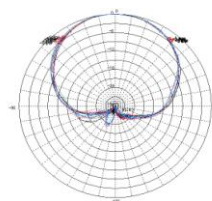


Horizontal Pattern

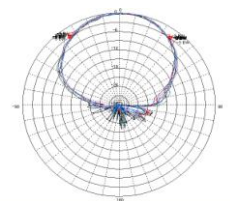


Vertical Pattern

Low Band



Horizontal Pattern



Vertical Pattern

High Band