

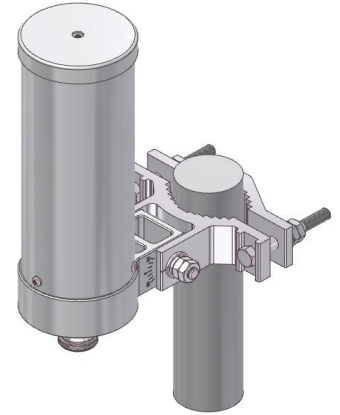
Triple Band Cylinder Type Sector Antenna

839 ~ 894, 1710 ~ 2170 MHz / 4.5 dBi, 6.5 dBi

TBSP-4.5dBi (CPI-UHR-047)

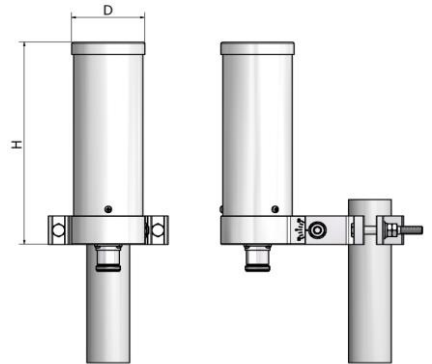
i. Electrical Specification

Frequency Range		839 ~ 894 MHz	1710 ~ 2170 MHz
Polarization		Vertical	
Band Width		55 MHz	460 MHz
Gain		≥ 4.5 dBi	≥ 6.5 dBi
Beam width	Horizontal	130° ± 30°	70° ± 30°
	Vertical	70° ± 30°	65° ± 15°
F-B ratio	Horizontal	≥ 5 dBi	≥ 10 dBi
	Vertical	≥ 5 dBi	≥ 10 dBi
VSWR		≤ 1 : 1.8	≤ 1 : 1.5
Impedance		50 Ω	
IMD (3rd)		≤ -140 dBc @ 2x43dBm	
Maximum input power		200 W	

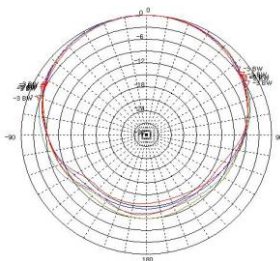


ii. Mechanical Specification

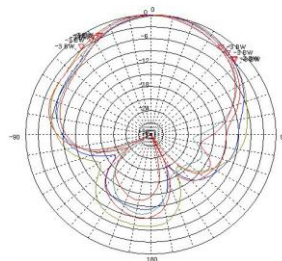
Radom Dimension (D x H)	∅ 81 x 250 mm
Weight (Include bracket)	≤ 890 g
Connector Type	7/16 " DIN-J (Female)
Withstand Wind Pressure	60 m/sec
Radome Material	ASA
Radome Color	Cool Gray 4C
Mechanical Down Tilt	± 20 °
Temperature	-40 °C ~ 70 °C
Packing Size (H x W x D)	-
Packing Weight	-



iii. Radiation Pattern

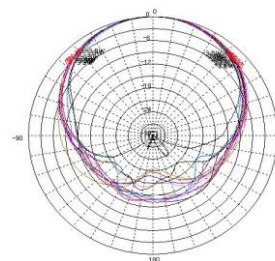


Horizontal Pattern

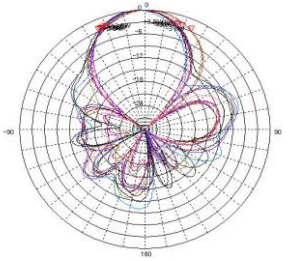


Vertical Pattern

Low Band



Horizontal Pattern



Vertical Pattern

High Band