

# TRS Band Single Polarization

Horizontal 85° 12dBi


## TRS-BS-X12-85T

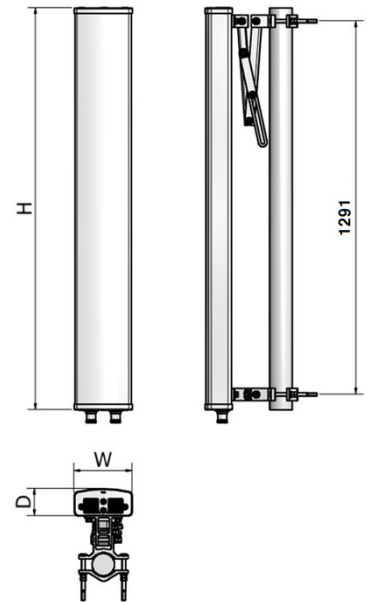
### i. Electrical Specification

Frequency Range	806 ~ 866 MHz	
Band Width	60 MHz	
Gain	≥ 13 dBi ± 1dB	
Polarization	± 45	
Beam width	Horizontal	85° ± 5°
	Vertical	20° ± 5°
F-B ratio	Horizontal (@180 ± 30°)	≥ 30 dB ( 0°, 2°, 6° )
	Vertical (@180 ± 60°)	≥ 30 dB ( 0°, 2°, 6° )
VSWR	≤ 1.3 : 1	
Impedance	50 Ω	
1st Upper Side lobe level	≥ 15 dB ( 0°, 2°, 6° )	
Maximum input power	≥ 200 W	

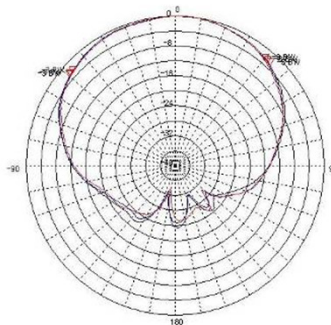


### ii. Mechanical Specification

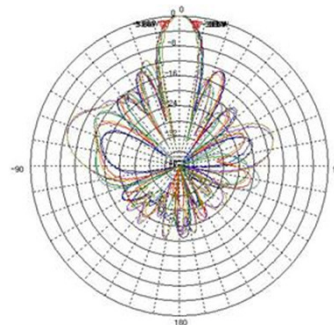
Radom Dimension ( H x W x D )	1380 x 161 x 73 mm	
Weight ( Include bracket )	≤ 6.5 kg	
Connector Type	7/16 DIN	
Withstand Wind Pressure	60 m/sec	
Radom Material ( color )	A.S.A. (Cool Gray 4C) 	
Mechanical Down Tilt	0° ~ 20°	
Temperature	-40 °C ~ 70 °C	
Packing Size ( H x W x D )	-	
Packing Weight	-	



### iii. Radiation Pattern



Horizontal Pattern



Vertical Pattern