

WIBRO Sector Antenna

2365 ~ 2395 MHz / 17 dBi

WB-BS-X17

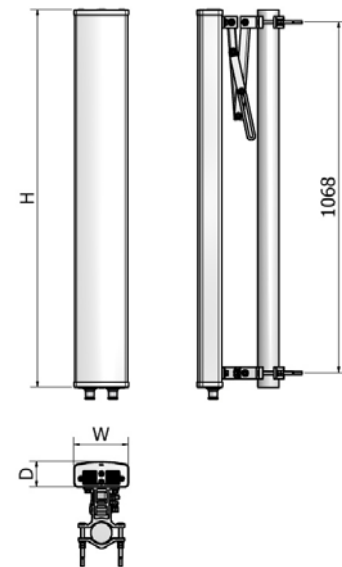
i. Electrical Specification

Frequency Range	2365 ~ 2395 MHz	
Polarization	±45	
Band Width	30 MHz	
Gain	≥ 17 dBi	
Beam width	Horizontal	≥ 65° ± 5° & 85° ± 5°
	Vertical	≥ 7° ± 2°
F-B ratio	Horizontal	≥ 20 dB @ 180 ± 30°
	Vertical	≥ 20 dB @ 180 ± 30°
Sidelobe	≥ 13dB	
VSWR	1 : 1.5	
Impedance	50 Ω	
Maximum input power	≤ 50 W	



ii. Mechanical Specification

Radom Dimension (H x W x D)	1120 X 162 X 72 mm
Weight (Include bracket)	5 kg
Connector Type	7/16" DIN –Female / N-Female
Withstand Wind Pressure	60 m/sec
Radome Material	FRP
Radome Color	Gray
Mechanical Down Tilt	0° ~ -15°
Temperature	-40 °C ~ 70 °C
Packing Size (H x W x D) SET	-
Packing Weight SET	-



iii. Radiation Pattern

